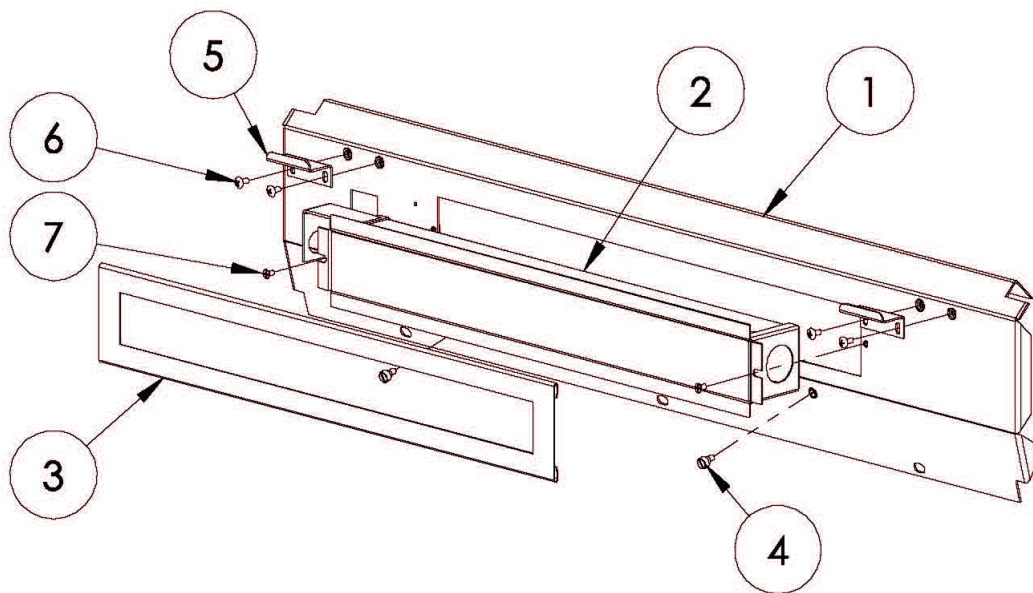


SMART42F IR Panel Assembly

Click on any circled item, then add the part to your cart. If it won't click, the part is not available. If the part is not available, please call us at: 888.988.4546



Item	Part No.	Name	Qty	Uom	NOTES
1	80841	IR PANEL WELDMENT, L42	1	EA	
2	32990	IR ROTIS. BURNER ONLY (LARGE-28 IN.)	1	EA	
3	32993	IR BURNER FRAME ONLY (LARGE-28 IN.)	1	EA	
4	32222	SCREW, SHLDR, #10-32 X 1/4, SLTD, SS, 1/4 DIA X 1/8	2	EA	
5	32133	REAR RETAIN ING BRACKET, WARMING RACK	2	EA	
6	14014	SCREW #8-32 x 3/8 PH TRUSS HEAD S/S	4	EA	
7	32644	SCREW, #8-32 X 5/16 PH, FLAT HD	2	EA	